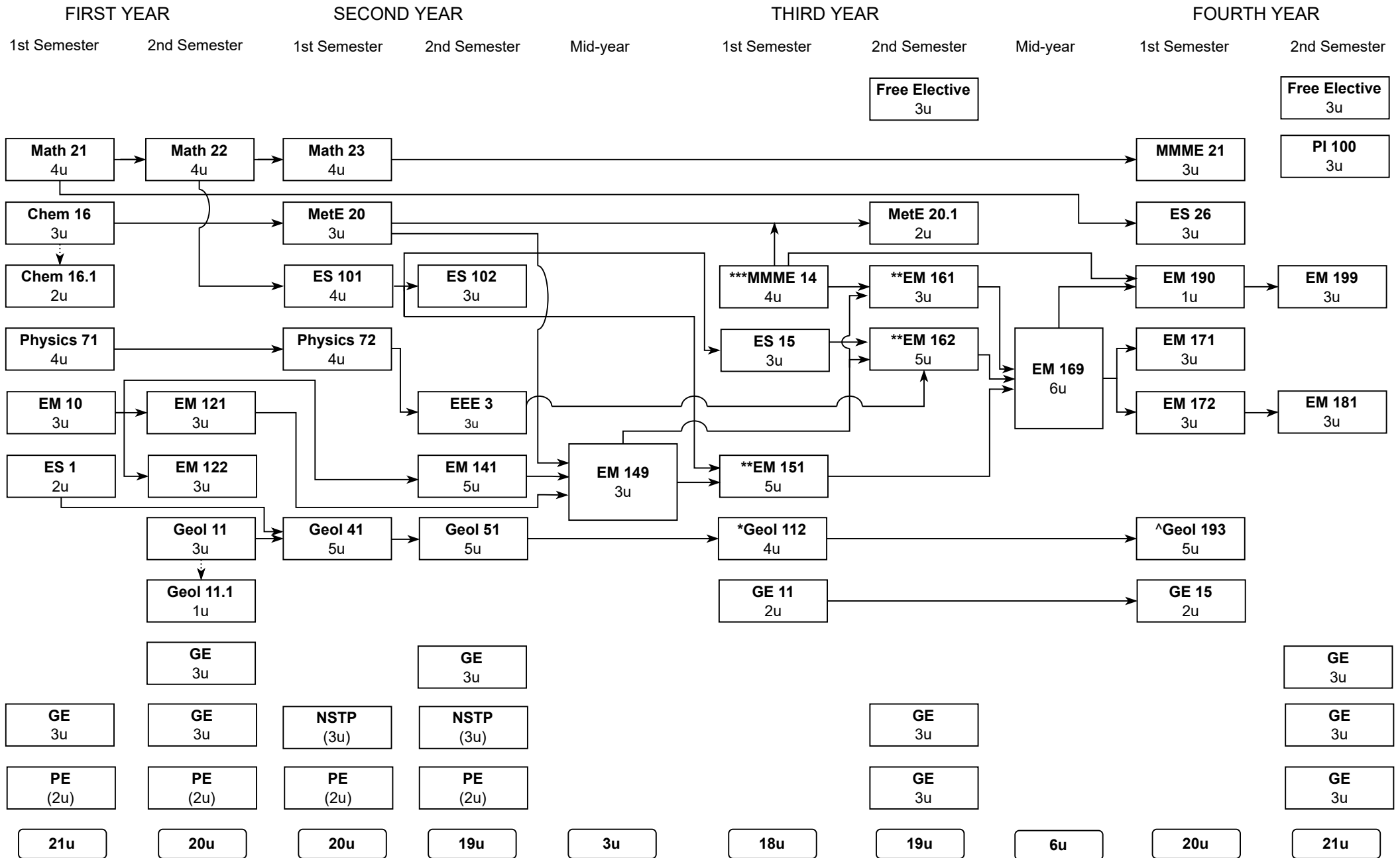


BACHELOR OF SCIENCE IN MINING ENGINEERING (BS EM)



* Physics 71 is a Pre-requisite
 ^ Recommended to have already taken MetE 20.1
 ** EM 149 is a Pre-requisite
 *** Math 21 is a Pre-requisite

Required GEs:
 Fil 40, Arts 1, Eng 13/Speech 30
 Kas 1, Socio 10, Philo 1, Soc Sci 1/2
 STS, DRMAPS

