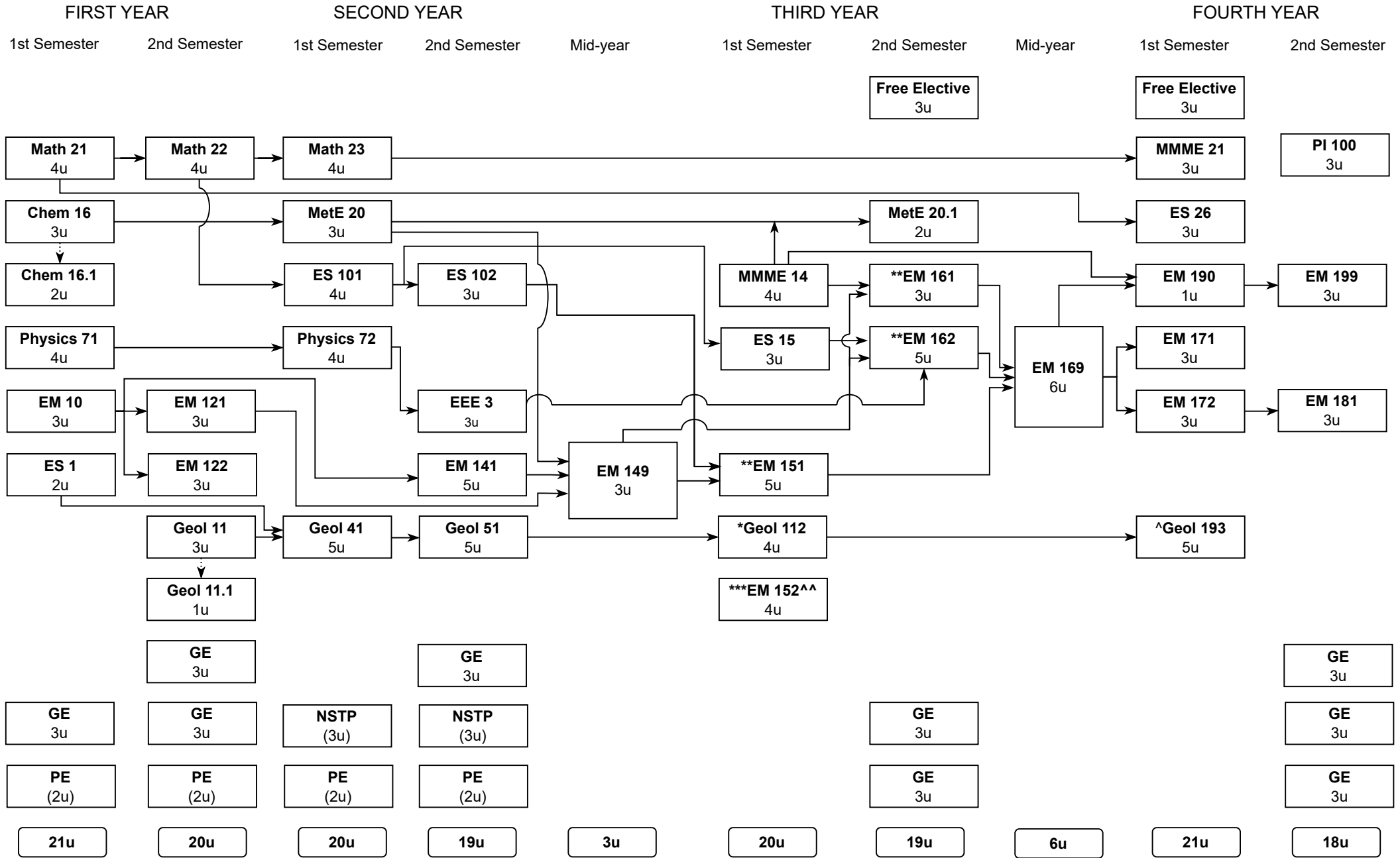


BACHELOR OF SCIENCE IN MINING ENGINEERING (BS EM)



* Physics 71 is a Pre-requisite

^ Recommended to have already taken MetE 20.1

** EM 149 is a Pre-requisite

*** Math 21 is a Pre-requisite

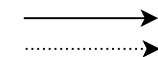
^^ GE 11 (2u) (1st Sem 3rd year) and GE 15 (2u) (1st Sem 4th year) need to be substituted for EM 152

Required GEs:

Fil 40, Arts 1, Eng 13/Speech 30

Kas 1, Socio 10, Philo 1, Soc Sci 1/2

STS, DRMAPS



—————> Pre-requisite subject
> Co-requisite subject

1 VII. Final Proposed Checklist of BS EM Curriculum

BACHELOR OF SCIENCE IN MINING ENGINEERING

Department of Mining, Metallurgical and Materials Engineering

UC Approval:
149th UPD UC: 19 June 2018

Date of effectivity:
2nd Semester of AY 2018-2019

FIRST YEAR

1 st Semester	21	units
GE 1 KAS 1 ✓	3	
EM 10	3	
Math 21*	4	
Chem 16	3	
Chem 16.1	2	
Physics 71	4	
ES 1	2	
PE	(2)	

2 nd Semester	20	units
GE 2 Eng 13/ Speech 30	3	
GE 3 Philo 1	3	
EM 121	3	
EM 122	3	
Math 22	4	
Geol 11	3	
Geol 11.1	1	
PE	(2)	

SECOND YEAR

1 st Semester	20	units
MetE 20	3	
Geol 41	5	
Math 23	4	
Physics 72	4	
ES 101	4	
PE	(2)	
NSTP	(3)	

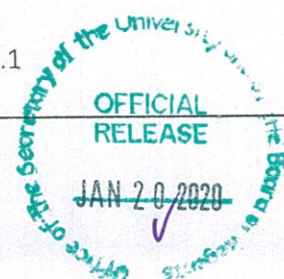
2 nd Semester	19	units
GE 4 Fil 40	3	
EM 141	5	
Geol 51	5	
EEE 3	3	
ES 102	3	
PE	(2)	
NSTP	(3)	

Midyear	3	units
EM 149	3	

THIRD YEAR

1 st Semester	20	units
EM 151	5	
EM 152	4	
Geol 112	4	
MMME 14	4	
ES 15	3	

2 nd Semester	19	units
GE 5 ARTS 1 ✓	3	
GE 6 Soc Sci 1** / Soc Sci 2	3	
EM 161	3	
EM 162	5	
MetE 20.1	2	
Elective	3	



Midyear	6	units
EM 169		6

FOURTH YEAR

1 st Semester	21	units
EM 171		3
EM 172		3
EM 190		1
Geol 193		5
ES 26		3
MMME 21		3
Elective		3

2 nd Semester	18	units
GE 7 Socio 10		3
GE 8 DRMAPS /		3
GE 9 STS 1 /		3
EM 181		3
EM 199		3
PI 100		3

TOTAL

TOTAL	167	units
--------------	------------	--------------

NOTES:

*All students required to take Math 21 must have passed any of the following: (1) Pre-calculus from the STEM or equivalent strand of K-12; (2) The Validation Examination for Math 20 (Pre-calculus: Functions and Their Graphs) administered by the UPD Institute of Mathematics; or (3) Math 20 as a non-credit course.

**Soc Sci 1 is subject to reconfiguration

As a requirement for graduation, all students must take six (6) units in one of the National Service Training Program (NSTP) components: Civic Welfare Training Service (CWTS), Literacy Training Service (LTS), and Reserved Officers' Training Corps Military Science (ROTC Mil Sci). These are offered by UPD.

